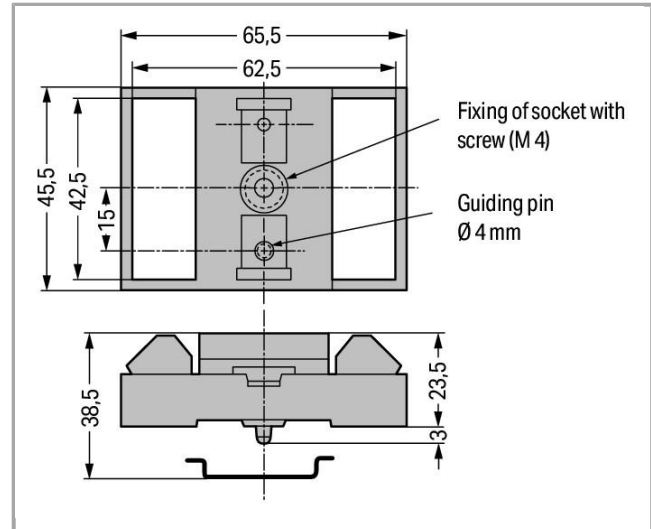


RoHS  Compliant

[BOMcheck.net](https://www.bomcheck.net)

Color: ■



### Item description

Mounting carrier, for screw mounting or DIN-rail mounting (via universal snap-on type mounting feet)

### Note:

Mounting feet to be ordered separately!

### Data

#### Geometrical Data

Width	45.5 mm / 1.791 inch
Height from upper-edge of DIN-35 rail	23.5 mm / 0.925 inch
Depth	65.5 mm / 2.579 inch

#### Mechanical data

Type of mounting	DIN-35 rail
------------------	-------------

#### Material Data

Color	gray
-------	------




Weight	7.9g
--------	------

### Commercial data

Product Group	6 (Interface Electronics)
Country of origin	DE
GTIN	4017332159548
Customs Tariff No.	85472000900

### Compatible products

#### General accessories

	<b>Item no.: 288-002</b> Universal mounting foot; snap-fit type; suitable for DIN 15, 35 and 32 rails; gray	288-002
	<b>Item no.: 289-102</b> PCB for self-assembly; with 8 mounting positions; 2,50 mm2	289-102
	<b>Item no.: 289-131</b> PCB for self-assembly; with 8 mounting positions; 2,50 mm2	289-131

### Downloads

#### Documentation

#### Additional Information

Disposal; Electrical and electronic equipment, Packaging	V 1.0.0	pdf 265.8 kB	Download
--	---------	-----------------	----------

### CAD/CAE - Smart Data

#### CAD data

3D Download 288-001	URL	Download
---------------------	-----	----------

#### EPLAN

EPLAN Data Portal	Download
-------------------	----------

#### WSCAD

WSCAD Universe	Download
----------------	----------



Subject to changes.

---